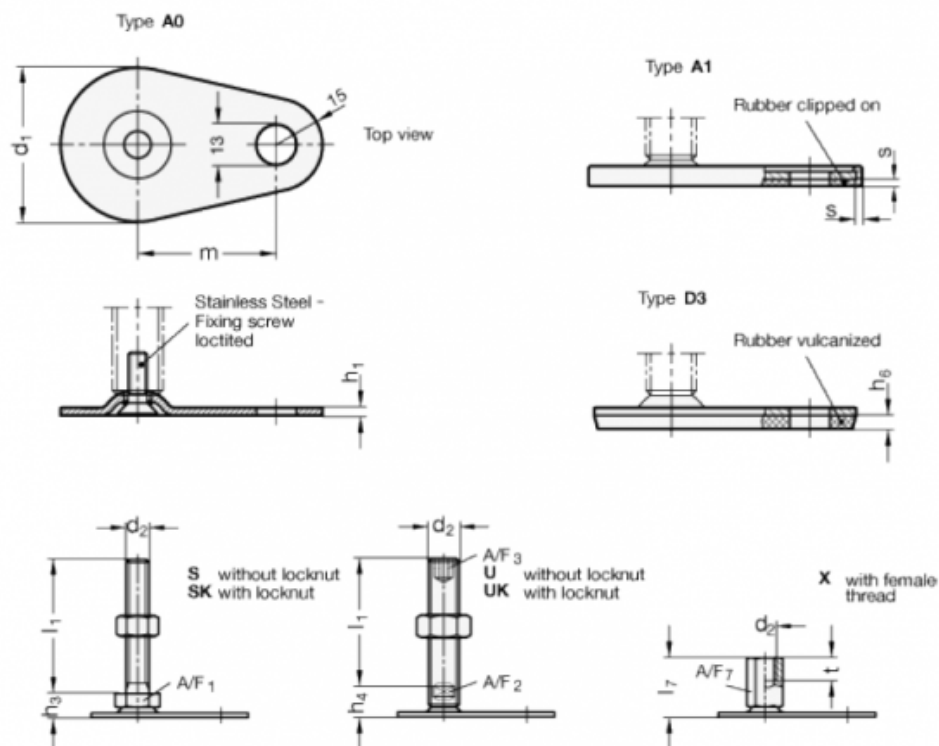


Article number: 204250M1080A1SK
 Description: E+G levelling foot
 GN 42-50-M10-80-A1-SK
 Note: SK With nut, External hexagon at the bottom

Measures



A/F1 = 17		s = 2
d1 = 50		
d2 = M10		
h1 = 2.5		
h3 = 11		
h6 =		
l1 = 80		
m = 45		